

Dual IT Lift system


Monitor adaptation

VESA 75/100

Keyboard

580 x 200 mm, magnetic

Height adjustment range

300 mm / 11.8"

Distance to wall

100 mm / 3.9" keyboard folded up

490 mm / 19.3" keyboard retracted

Max. load monitor adaptation

8 kg / 17.6 lbs each VESA plate

Balancing range

100 N (4 - 10 kg / 8.8 - 22 lbs); 180 N (10.5 - 18 kg / 23.2 - 39.7 lbs)

Part number

Wall channel L 1200 mm / 47.2"

Spring tension

A-D6120G.bl1_10_58S

100 N = 4 - 10 kg / 8.8 - 22 lbs

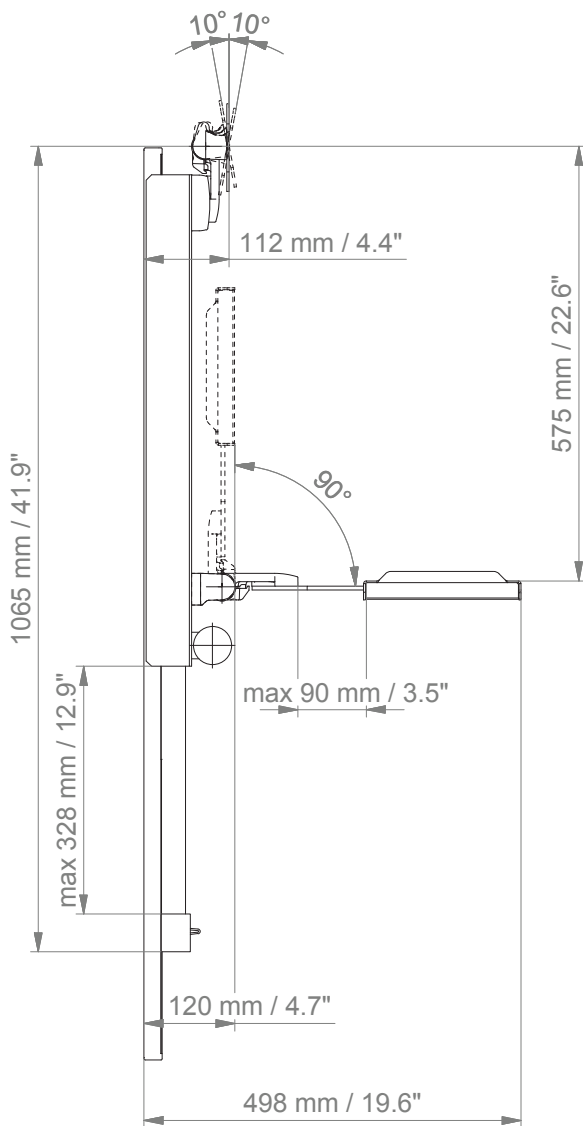
A-D6120G.bl1_18_58S

180 N = 10.5 - 18 kg / 23.2 - 39.7 lbs

Dual IT Lift system

Technical data

SIDE VIEW



TOP VIEW

