

Support arm pivot



Keyboard tray	dimensions page 3	
Colours to choose	aluminum parts	RAL 9016 traffic white / RAL 9002 grey white
Max. load capacity support arm	16 kg / 35.3 lbs	
Max. load keyboard tray	5 kg / 11 lbs	
Product weight	240 mm: 1.8 - 3.3 kg / 9.5": 4.0 - 7.3 lbs (according to dimensions of keyboard tray)	
	300 mm: 1.9 - 3.5 kg / 11.8": 4.2 - 7.7 lbs (according to dimensions of keyboard tray)	
Part number	arm length 240 mm / 9.5"	arm length 300 mm / 11.8"
	A-224E-Y.D_T	A-230E-Y.D_T

Fixings

Y



4V

Adapter for vertical wall channel



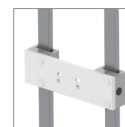
2F

Fixed rail clamp



3

Vertical rail clamp



3DR
3TX

Dual vertical rail clamp



1
1F
1C
1V

Fixed / universal pole clamp



13

Adapter for Mindray medical supply units



17

Adapter for Amico pendants & headwalls



9

Adapter for Löwenstein Medical anaesthesia machines



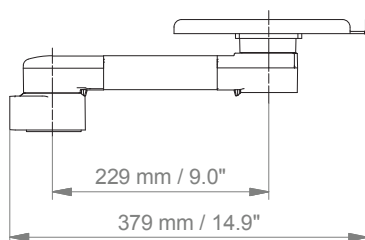
4K

Adapter for anaesthesia machines with existing side channel

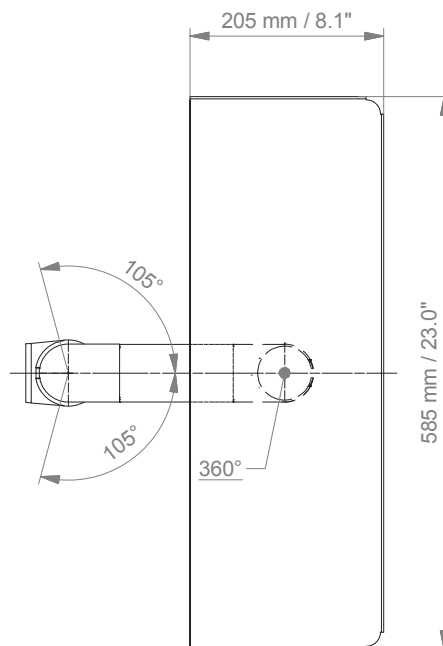
Support arm pivot

Technical data - arm length 300 mm / 11.8", keyboard tray 580 x 200 mm / 22.8 x 7.9"

SIDE VIEW

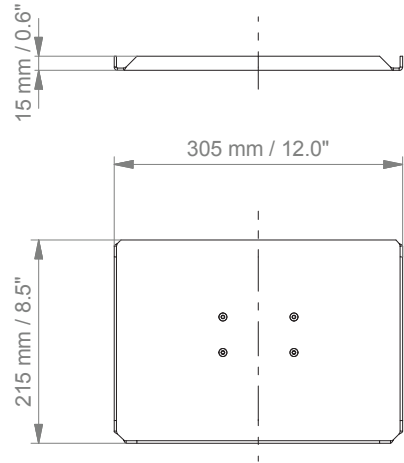


TOP VIEW

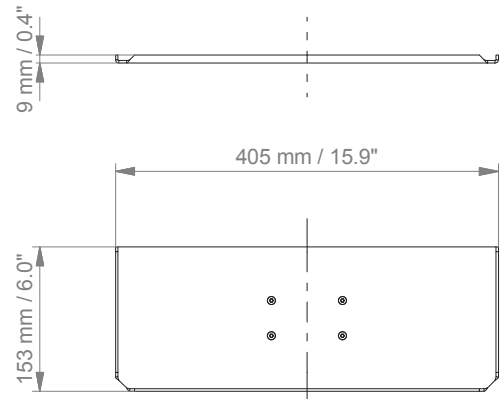


Keyboard tray options

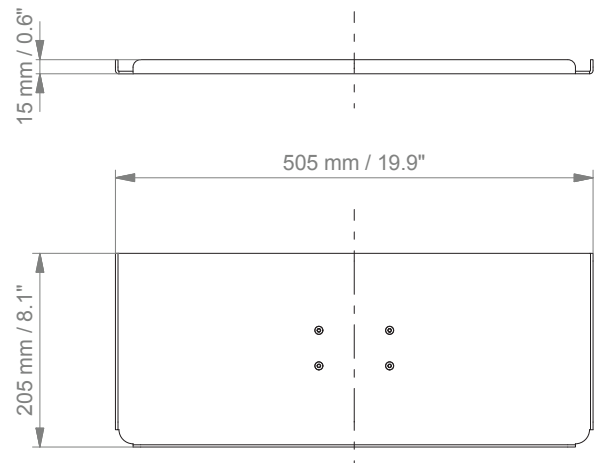
Keyboard tray 300 x 210 mm / 11.8" x 8.3"



Keyboard tray 400 x 150 mm / 15.7" x 5.9"

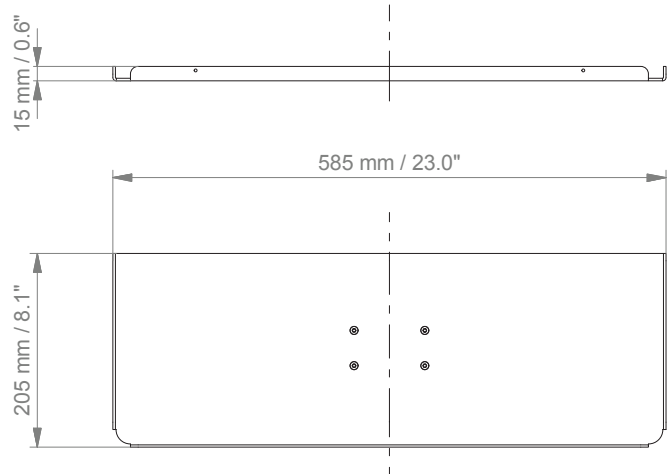


Keyboard tray 500 x 200 mm / 19.7" x 7.9"

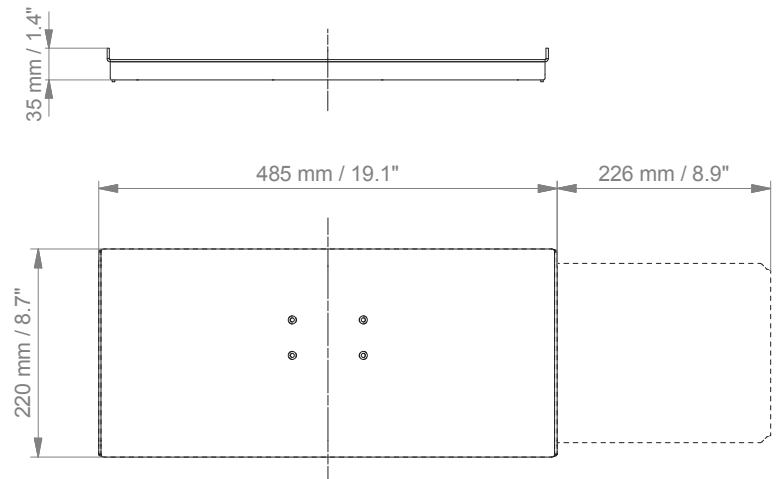


Keyboard tray options

Keyboard tray 580 x 200 mm / 22.8" x 7.9"

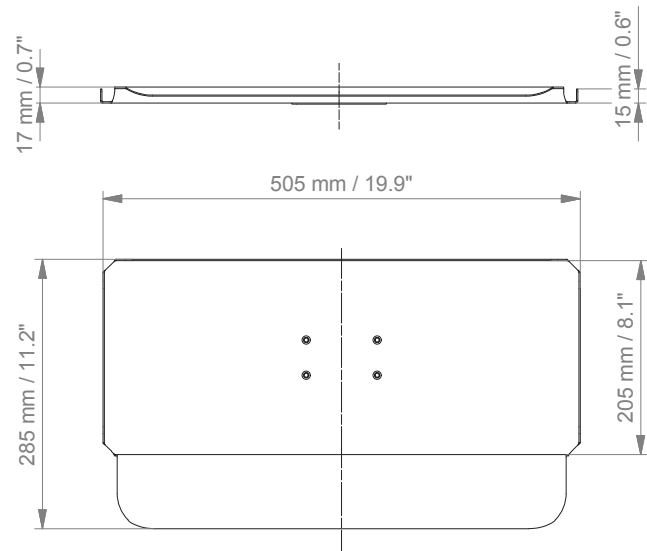


Keyboard tray with retractable left / right mouse tray 480 x 220 mm / 18.9" x 8.7", mouse tray 226 mm / 8.9"

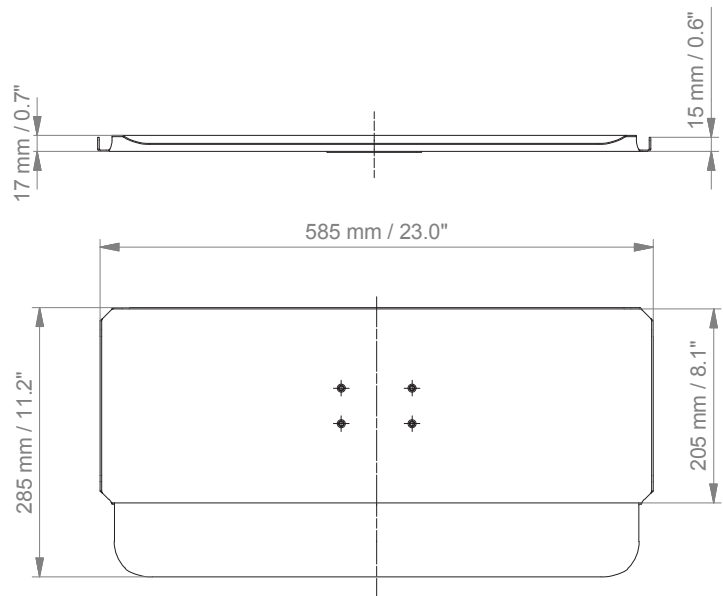


Tray for keyboard and mouse

Keyboard tray with wrist rest 500 x 200 mm / 19.7 x 7.9"



Keyboard tray with wrist rest 580 x 200 mm / 22.8 x 7.9"



Fixings

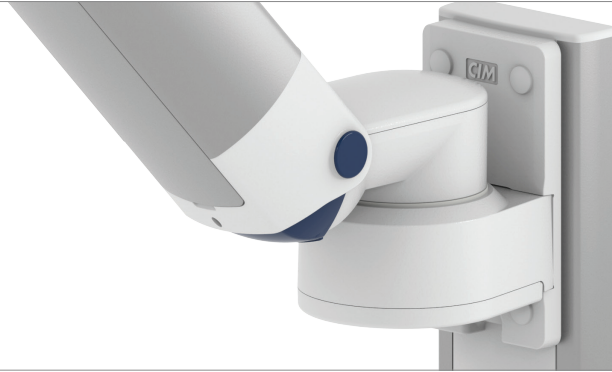










Illustration	Description	Notes	Part no.
	Adapter for vertical wall channel	To mount to CIM wall channel (compatible with GCX channel) For arms with high mounting positions Please order separately: CIM wall channel, see catalogue accessoires	4V 4U
	Fixed rail clamp	To mount to horizontal European rails 10 x 25, 8 x 35, 10 x 30, 10 x 50 mm	2F
	Vertical rail clamp	To mount to vertical European rail 10 x 25 mm	3
	Dual vertical rail clamp	To mount to two parallel vertical European rails 10 x 25 mm Distance between rails 150 mm / 5.9", e.g. Dräger pendant Distance between rails 225 mm / 8.9", e.g. Trilux pendant	3DR 3TX
	Fixed pole clamp	To mount to pole \varnothing 25 mm / 1.0" To mount to pole \varnothing 35 mm / 1.4" To mount to pole \varnothing 38 mm / 1.5"	1 1F 1C
	Universal pole clamp	V-block to mount to pole \varnothing 23 - 40 mm / 0.9 - 1.6"	1V
	Adapter medical supply units	For Mindray medical supply units	13
	Adapter pendants & headwalls	For Amico pendants & headwalls	17

Fixings for anaesthesia machines

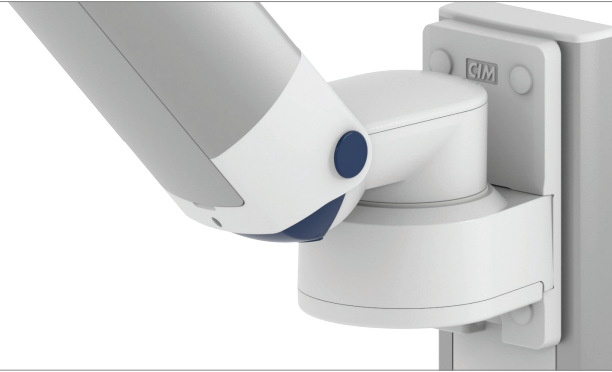


Illustration	Description	Notes	Part no.
	Adapter for Löwenstein Medical anaesthesia machines	Adapter for Leon / Leon plus	9
	Adapter for anaesthesia machines (all suppliers)	H 80 mm / 3.1" With existing side channel	4K
If your anaesthesia machine does not have a side channel already mounted to the machine, please order the following in addition to 4K:			
	Adapter for Dräger	Dräger Primus / Julian / Cato / Fabius GS / Zeus side channel adapter L 127 mm / 5" side channel adapter L 320 mm / 12.6"	DR-J01 DR-J02
	Adapter for GE	GE Avance / Aespire / Aestiva side channel adapter L 200 mm / 7.9"	DX-AES-01