

Cart light duty

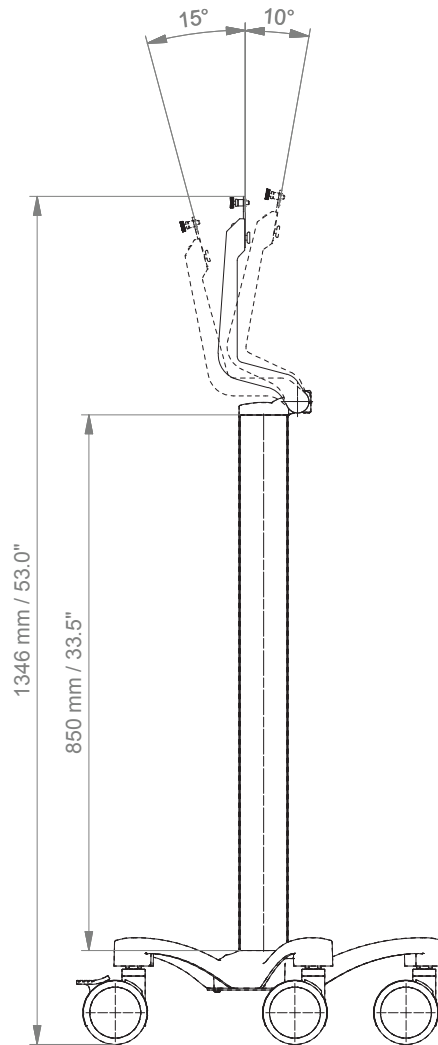


Monitor adaption	CL-bracket, quick release base plate	
Accessories	5-star base aluminum base with counter weight double wheel castors, \varnothing 100 mm/ 3.9", 2 lockable column to accept components and accessories on opposite sides	
Colours to choose	decorative parts	RAL 5013 cobalt blue / RAL 7024 graphite grey
	base	RAL 9016 traffic white / RAL 5013 cobalt blue
	handle	RAL 9016 traffic white / RAL 5013 cobalt blue / RAL 7024 graphite grey
Max. load capacity	10 kg / 22 lbs	
Optional accessories	basket big 300 x 200 x 180 mm / 11.8 x 7.9 x 7.1" basket small 200 x 150 x 100 mm / 7.9 x 5.9 x 3.9" handle	
Part number	cart	R-002KQ.CD
	quick release adapter plate VESA 75	Z-QR-C.D
	quick release adapter plate VESA 75/100	Z-QR-G.D
	basket big	Z-51-4Z
	basket small	Z-52-4Z
	handle	Z-HD-4.C1

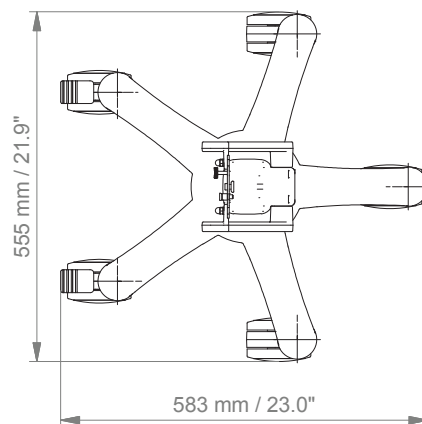
Cart light duty

Technical data

SIDE VIEW



TOP VIEW



Quick release adapter plate VESA

VESA 75 Quick release adapter plate (Z-QR-C.D)

The adapter plate shown is mounted to the rear side of the monitor's hole pattern 75 x 75 mm (2.9 x 2.9"). The quick release adapter plate has to be ordered separately.

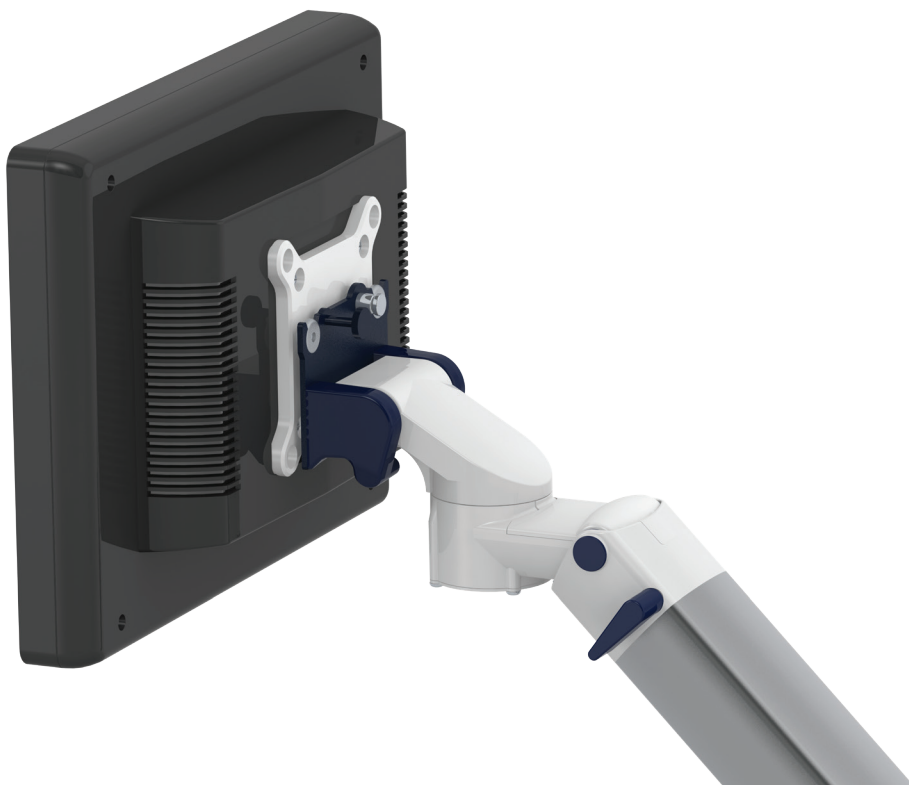
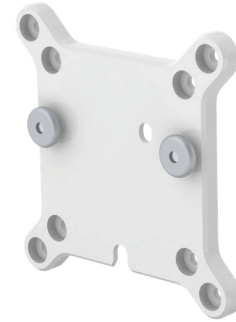
Product weight: 0.2 kg / 0.4 lbs



VESA 75/ 100 Quick release adapter plate (Z-QR-G.D)

The adapter plate shown is mounted to the rear side of the monitor using either the 75 x 75 mm (2.9 x 2.9") or 100 x 100 mm (3.9 x 3.9") hole pattern. The quick release adapter plate has to be ordered separately.

Product weight: 0.2 kg / 0.4 lbs



General notes

Monitor Adaptations

The quick release monitor adaptation with adapter plate for VESA 75/75 (part no. Z-QR-C) or VESA 75/100 (part no. Z-QR-G) allows a quick change of the monitor. Please note that the quick release adapter plate has to be ordered separately.

Mounting solutions for monitors with VESA 75/100 without quick release can be found in our catalogue VESA 75/100 adaptation.

Components' grounding

All arms with integrated cable management are equipped with **component grounding**. No grounding is required for arms with external or semi-integrated cable management with cables not being led through joints.

Load capacity

All **height adjustable arms** have a load capacity of 22 kg / 48.5 lbs. Rear mounted monitor adaptations and horizontally mounted 5" plunge plates accept a maximum monitor weight of 18 kg / 39.7 lbs. An additional 4 kg / 8.8 lbs may be mounted on a down post underneath the front swivel part. Depending on material and tensile factor all weight indications have a 4-fold and/ or 6-fold safety factor according to IEC 60601-1 standards.

Custom-designed solutions and MRI applications

Please contact us for **custom-designed** solutions.

Product marking

All CIM products are CE marked. As **medical product risk class 1** they conform with the regulations (EU) 2017/745 (MDR) and IEC 60601-1, 3rd Edition. The current standard IEC 60601-1 for electrical and mechanical safety is the 3rd Edition. Other standards of the IEC 60601 series are not applicable to our products, regardless of their version.