

IT Lift system



Monitor adaptation
Keyboard

Quick release base plate
580 x 200 mm, magnetic

Height adjustment range
Distance to wall

300 mm / 11.8"
100 mm / 3.9" keyboard folded up
490 mm / 19.3" keyboard retracted

Max. load monitor adaptation
Balancing range

18 kg / 39.7 lbs
100 N (4 - 10 kg / 8.8 - 22 lbs); 180 N (10.5 - 18 kg / 23.2 - 39.7 lbs)

Part number

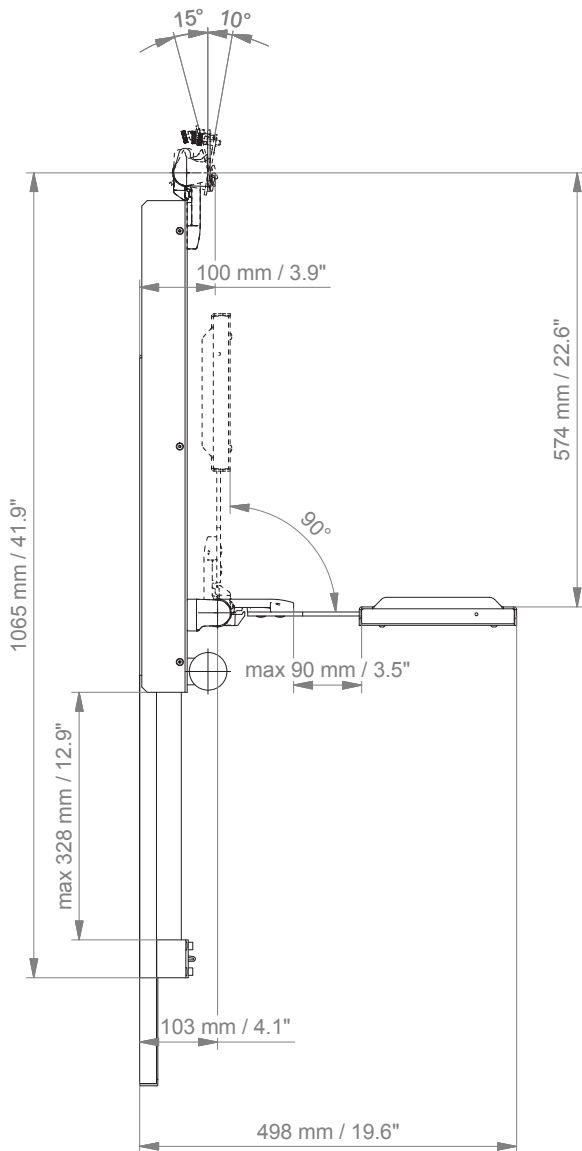
Wall channel L 960 mm / 37.8"	Spring tension
A-696Q.bl1_10_58S	100 N = 4 - 10 kg / 8.8 - 22 lbs
A-696Q.bl1_18_58S	180 N = 10.5 - 18 kg / 23.2 - 39.7 lbs
Wall channel L 1200 mm / 47.2"	Spring tension
A-6120Q.bl1_10_58S	100 N = 4 - 10 kg / 8.8 - 22 lbs
A-6120Q.bl1_18_58S	180 N = 10.5 - 18 kg / 23.2 - 39.7 lbs
Z-QR-C.D	Quick release adapter plate VESA 75/75
Z-QR-G.D	Quick release adapter plate VESA 75/100

CPU dual clamp set: please refer to catalogue accessories.

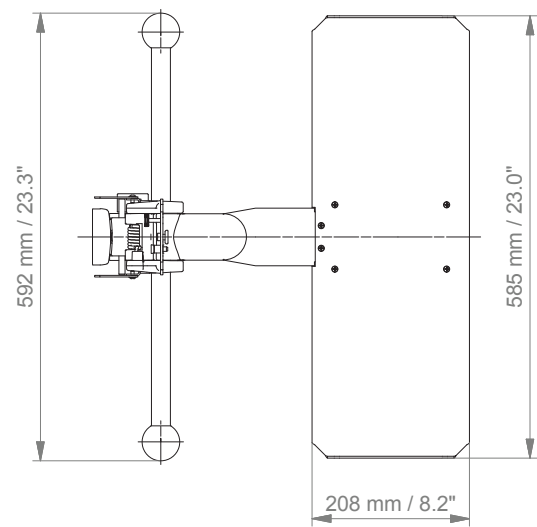
IT Lift system

Technical data

SIDE VIEW



TOP VIEW



Quick release adapter plate VESA

VESA 75 Quick release adapter plate (Z-QR-C.D)

The adapter plate shown is mounted to the rear side of the monitor's hole pattern 75 x 75 mm (2.9 x 2.9"). The quick release adapter plate has to be ordered separately.

Product weight: 0.2 kg / 0.4 lbs



VESA 75/ 100 Quick release adapter plate (Z-QR-G.D)

The adapter plate shown is mounted to the rear side of the monitor using either the 75 x 75 mm (2.9 x 2.9") or 100 x 100 mm (3.9 x 3.9") hole pattern. The quick release adapter plate has to be ordered separately.

Product weight: 0.2 kg / 0.4 lbs

